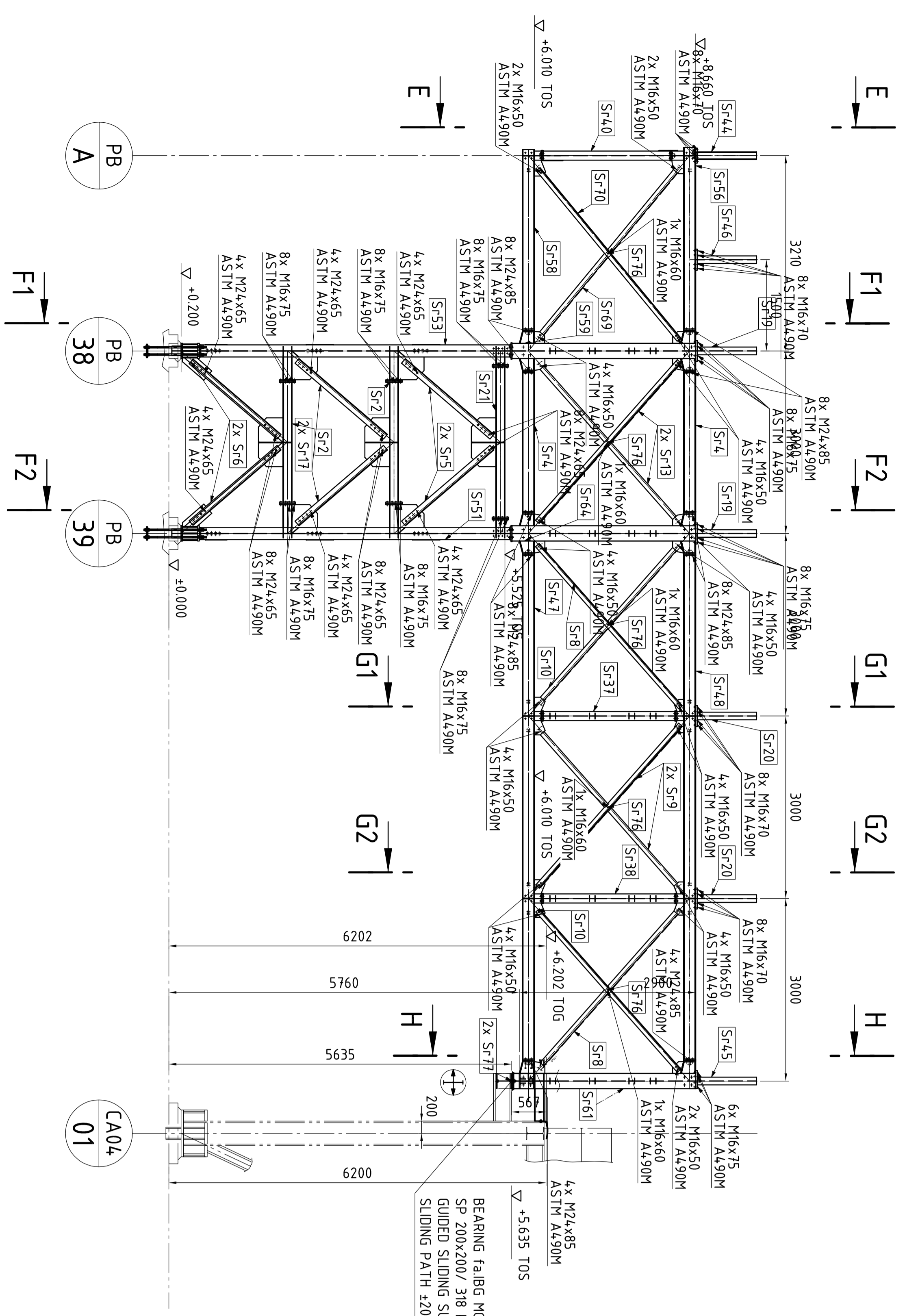
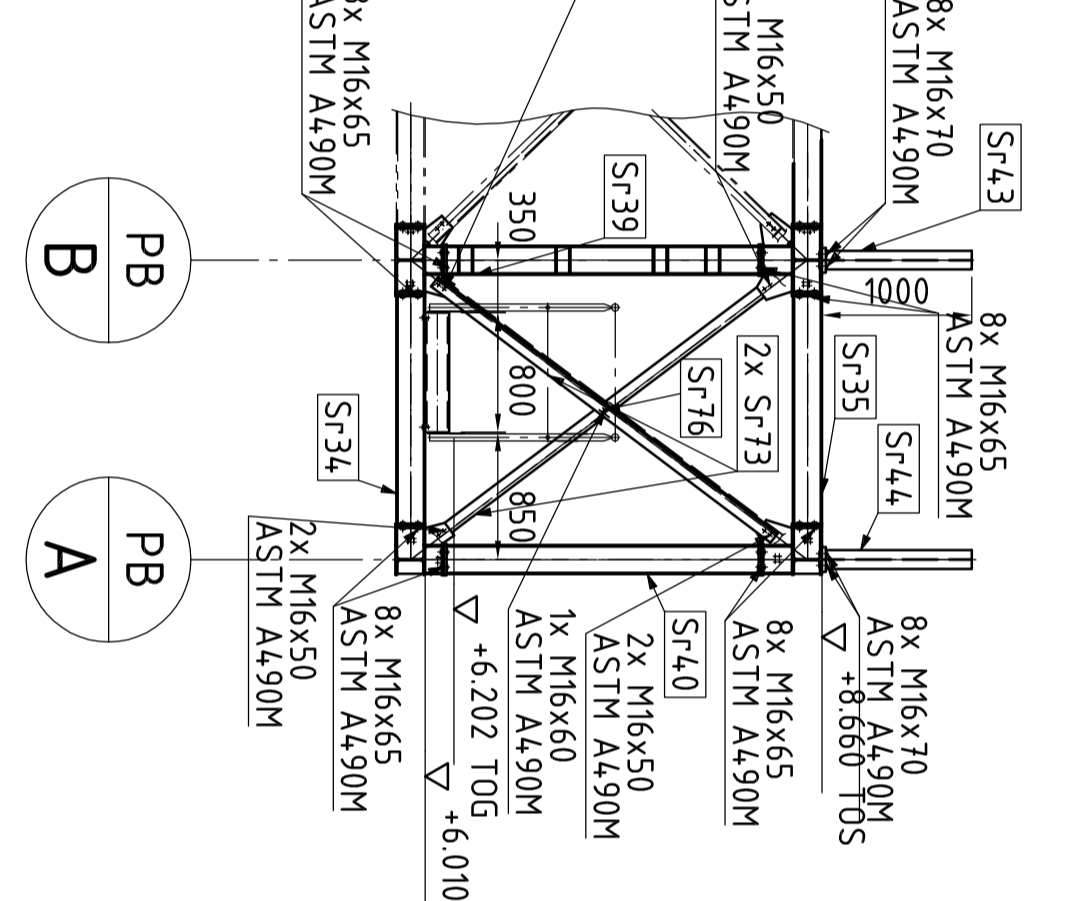


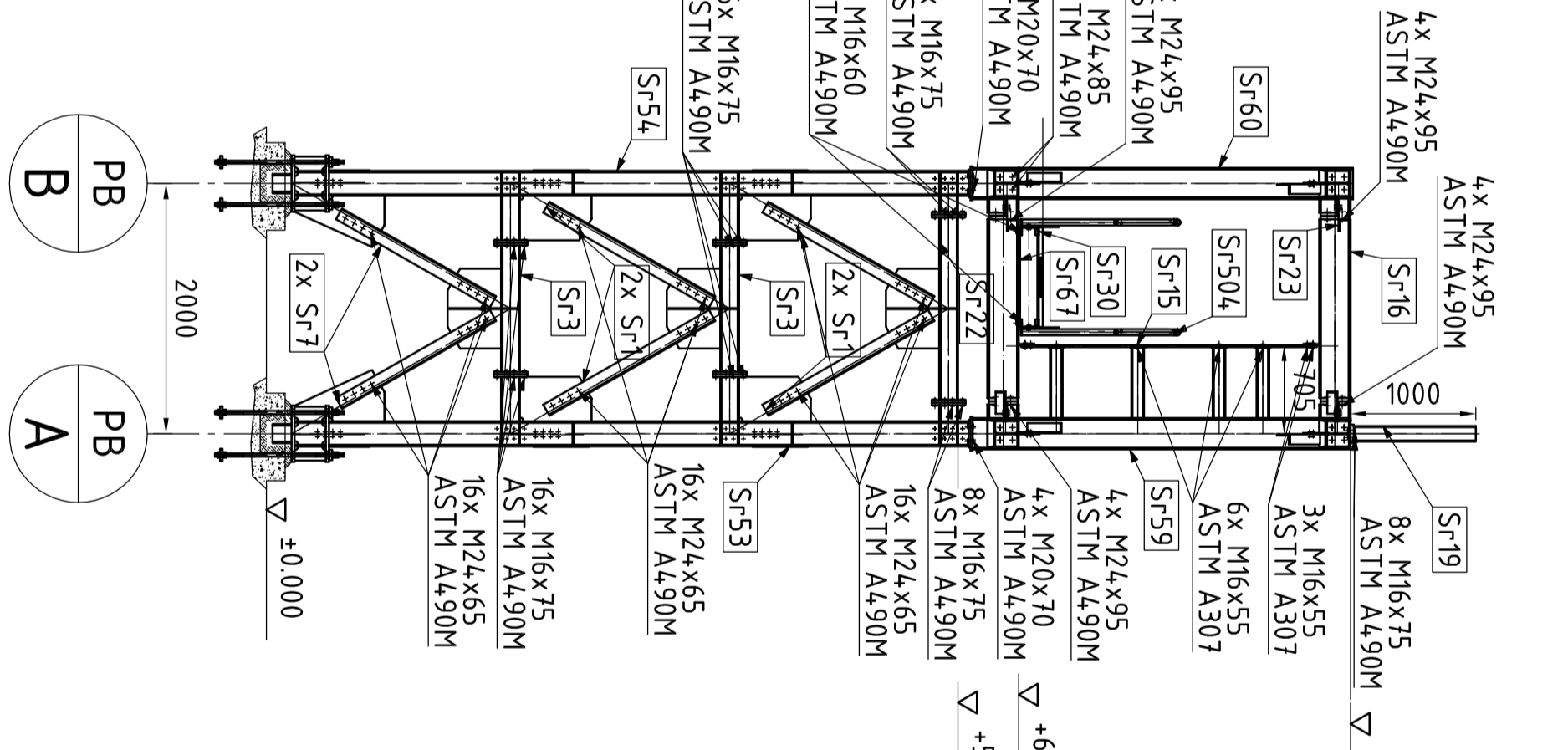
**PIPE BRIDGES - PART 19**  
**SECTION C-C**  
SCALE 1:50



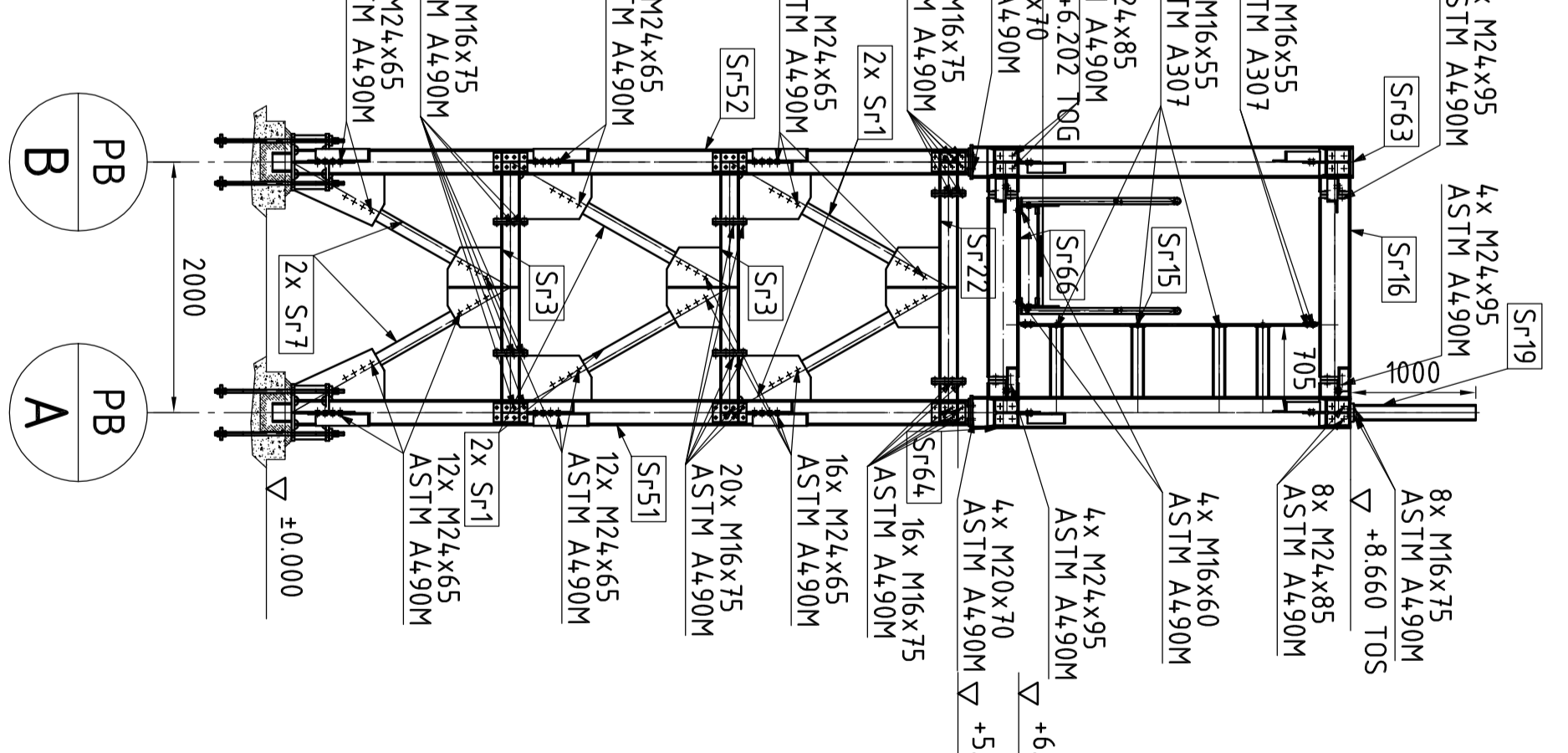
**PIPE BRIDGES - PART 19**  
**SECTION E-E**  
SCALE 1:50



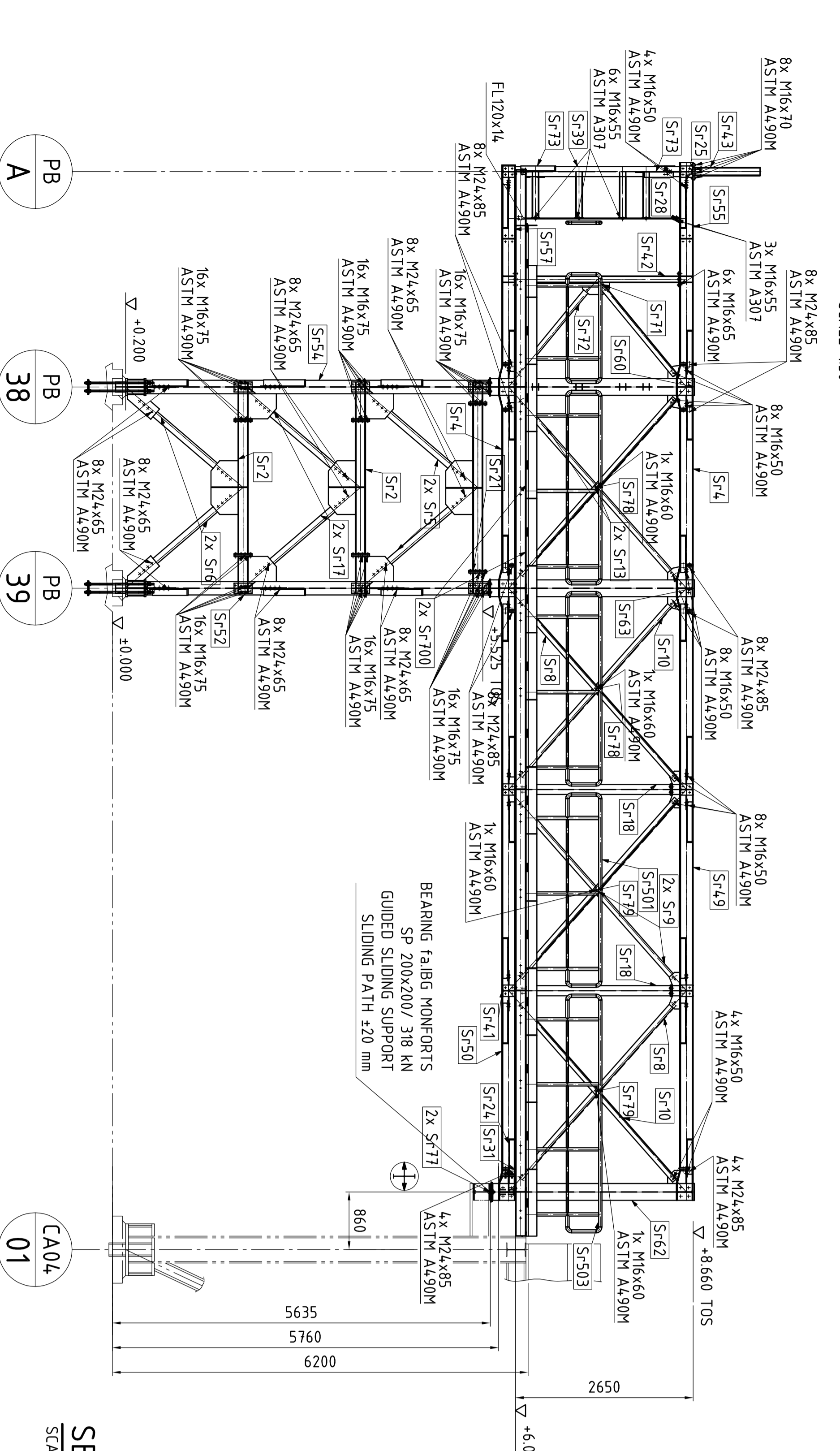
**PIPE BRIDGES - PART 19**  
**SECTION F1-F1**  
SCALE 1:50



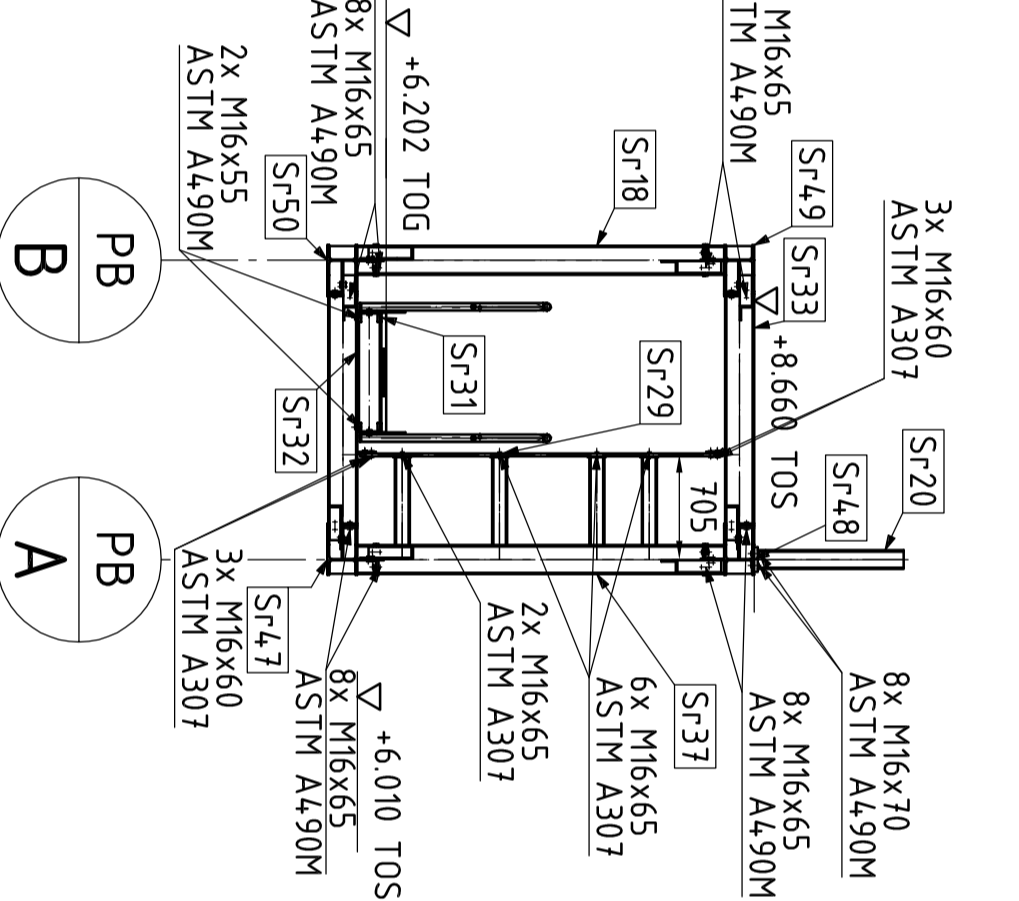
**PIPE BRIDGES - PART 19**  
**SECTION F2-F2**  
SCALE 1:50



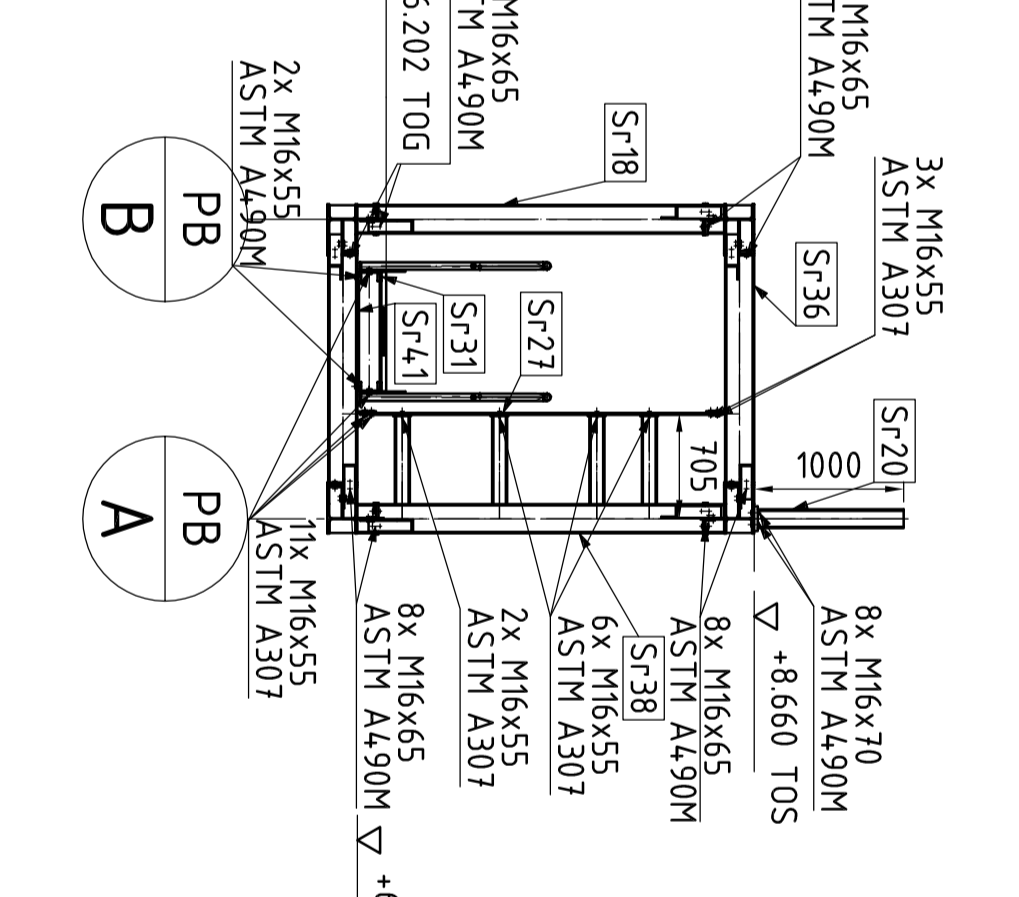
**PIPE BRIDGES - PART 19**  
**SECTION D-D**  
SCALE 1:50



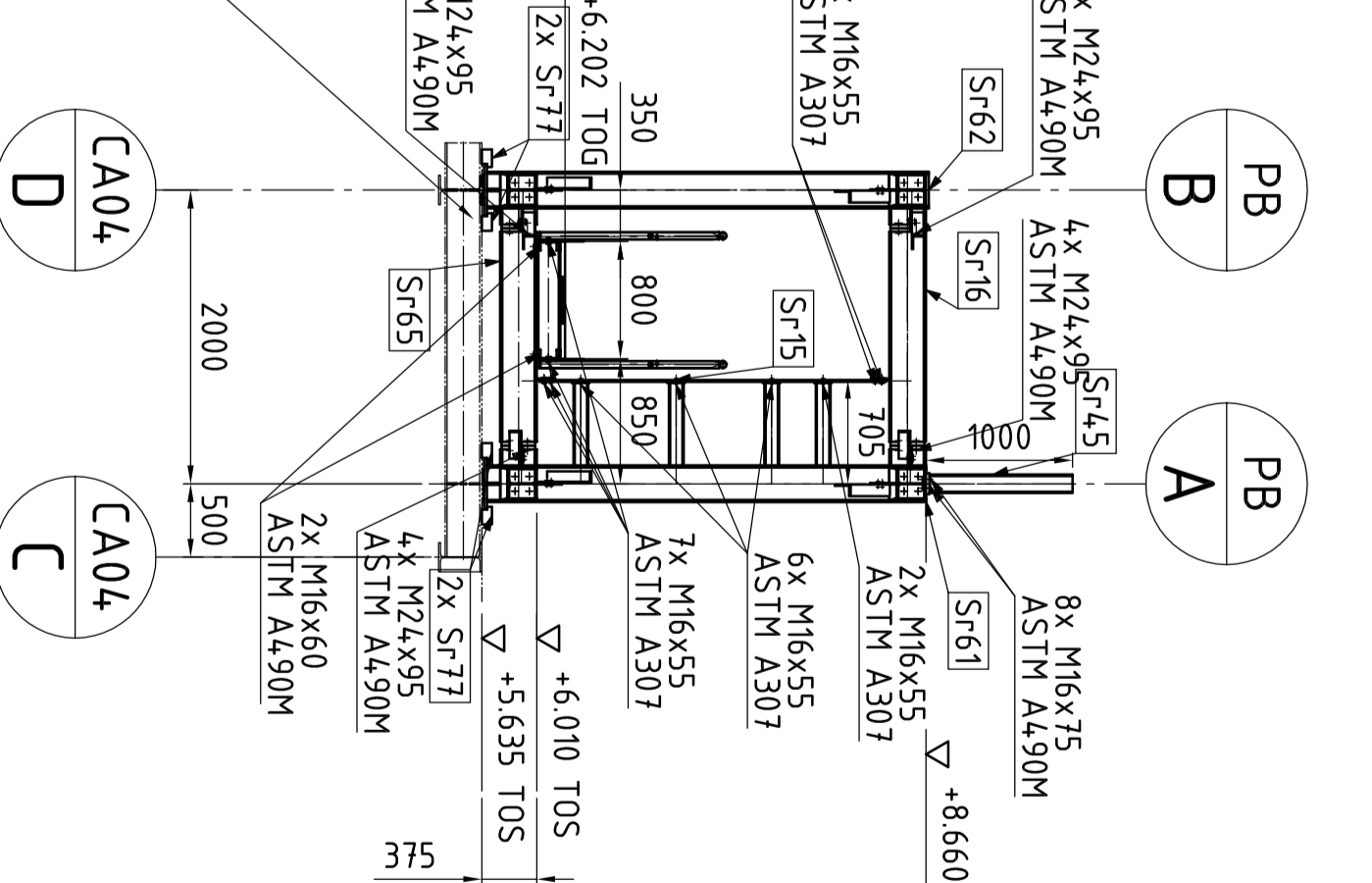
**PIPE BRIDGES - PART 19**  
**SECTION G1-G1**  
SCALE 1:50



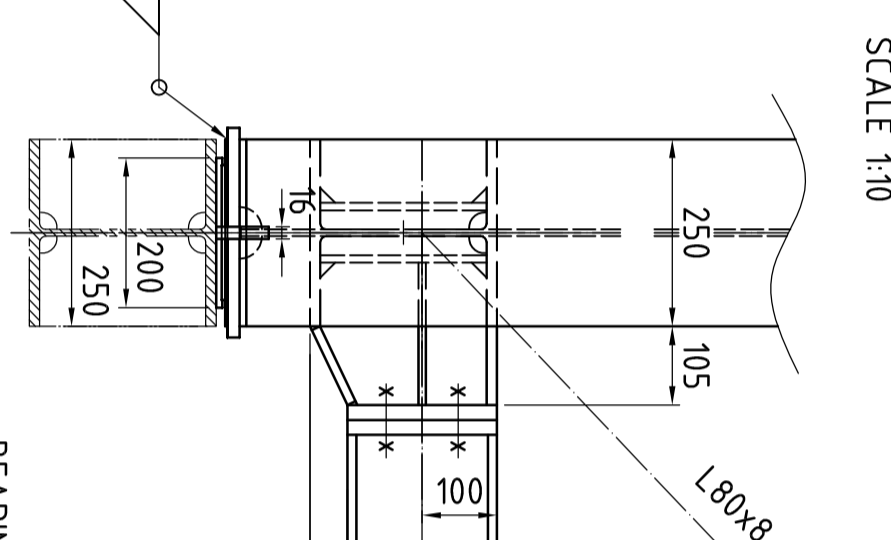
**PIPE BRIDGES - PART 19**  
**SECTION G2-G2**  
SCALE 1:50



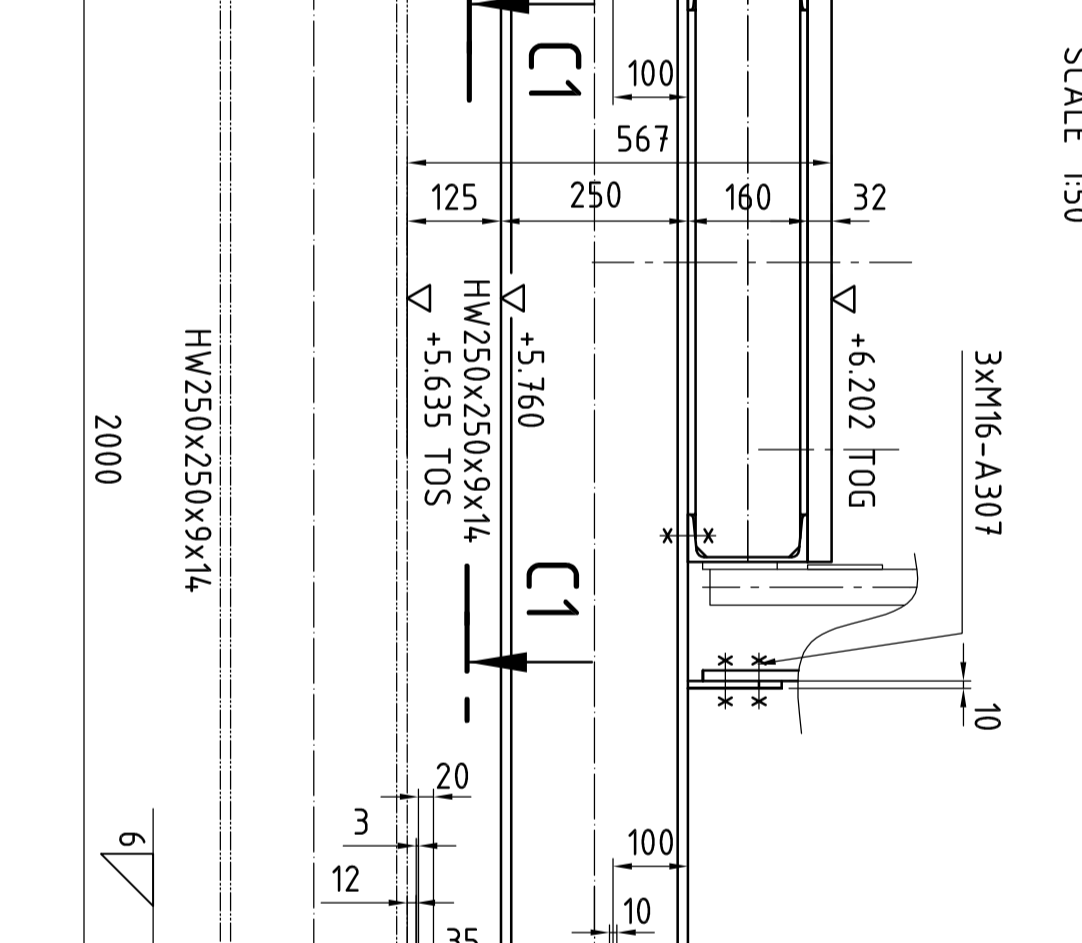
**PIPE BRIDGES - PART 19**  
**SECTION H-H**  
SCALE 1:50



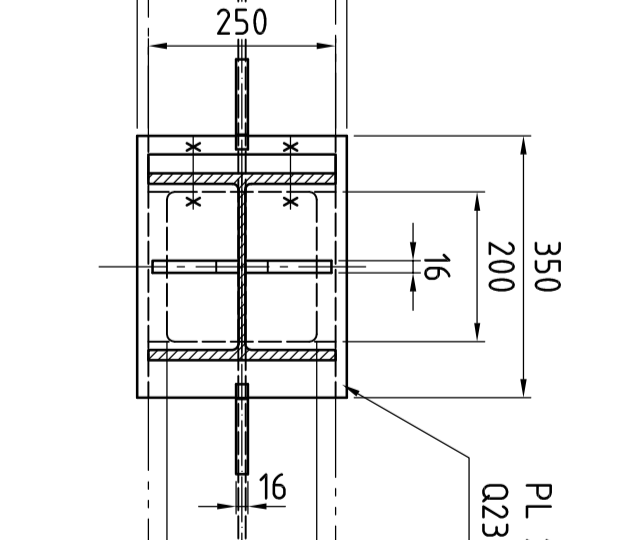
**SECTION C2-C2**  
SCALE 1:10



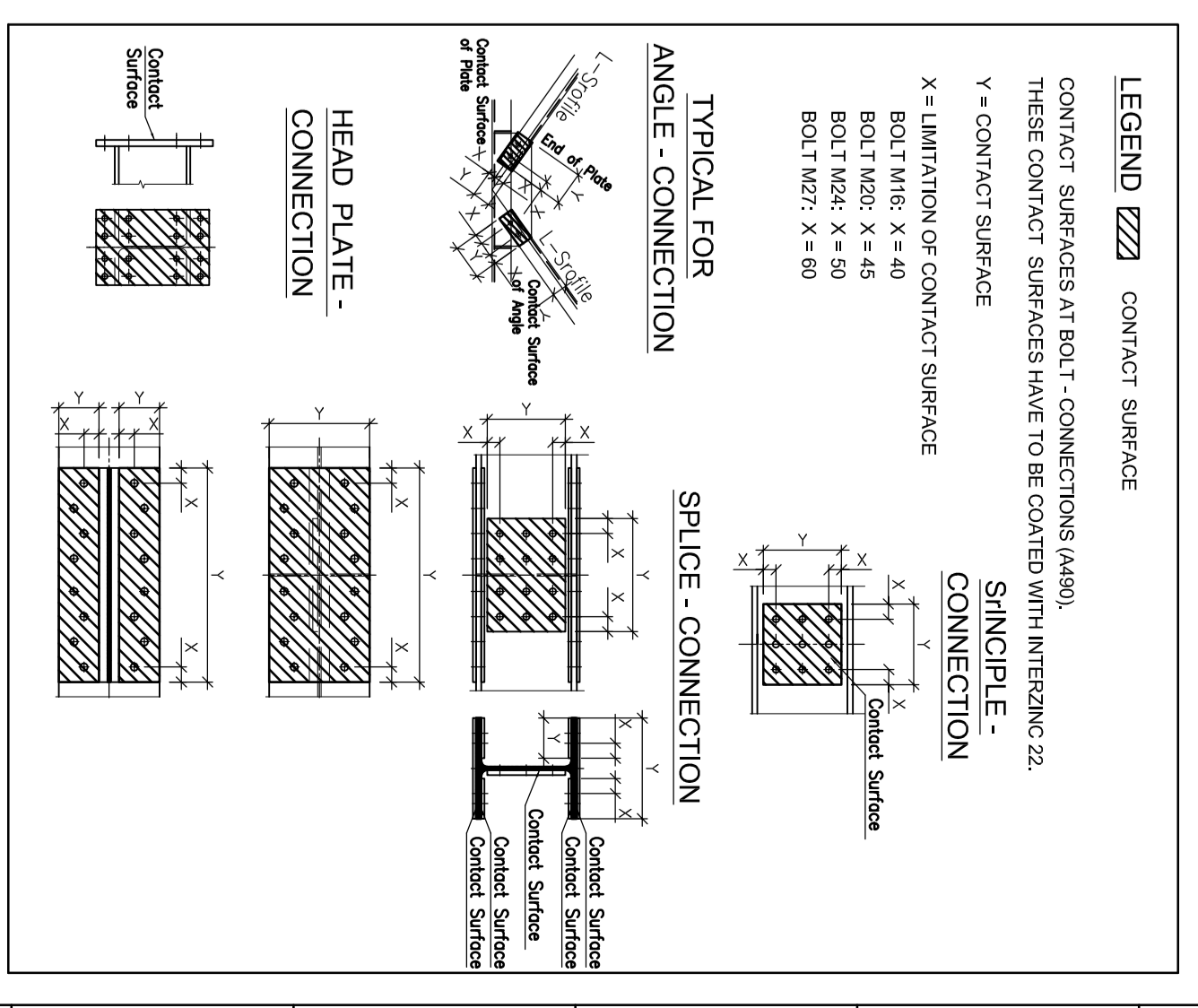
**SECTION H-H - (DETAIL C)**  
SCALE 1:50



**SECTION C1-C1**  
SCALE 1:10



Reference Drawings	DWG No.	Title
I.	EKS60013 P.120.4800	Bag Filter
II.	EKS60013 P.120.4801	Erection drawing - 3D views
III.	EKS60013 P.120.4802	Erection drawing - Levels



1) Strengthening according table

Bolt size	M12	M16	M20	M22	M24	M27	M30	M36
Strengthening	10	50	50	100	100	200	200	200
High torque	10	50	50	100	100	200	200	200
High torque Nm								

Surface condition according Strengthening and lubricated and in "as received and lubricated" condition (Nuts treated with molybdenum disulfide or equivalent lubrication)

2) Marking of nut

3) Turns-of-nut Strengthening angle according table

Turns-of-nut	Strengthening angle according table
1	45°
2	60°
3	75°
4	90°
5	105°
6	120°
7	135°
8	150°
9	165°
10	180°

4) Marking of bolt

Disposition of outer face of bolted parts	Disposition of inner face of bolted parts
None more than 4db	None more than 4db
More than 4db but not more than 8db	More than 4db but not more than 8db
More than 8db but not more than 12db	More than 8db but not more than 12db
More than 12db	More than 12db

